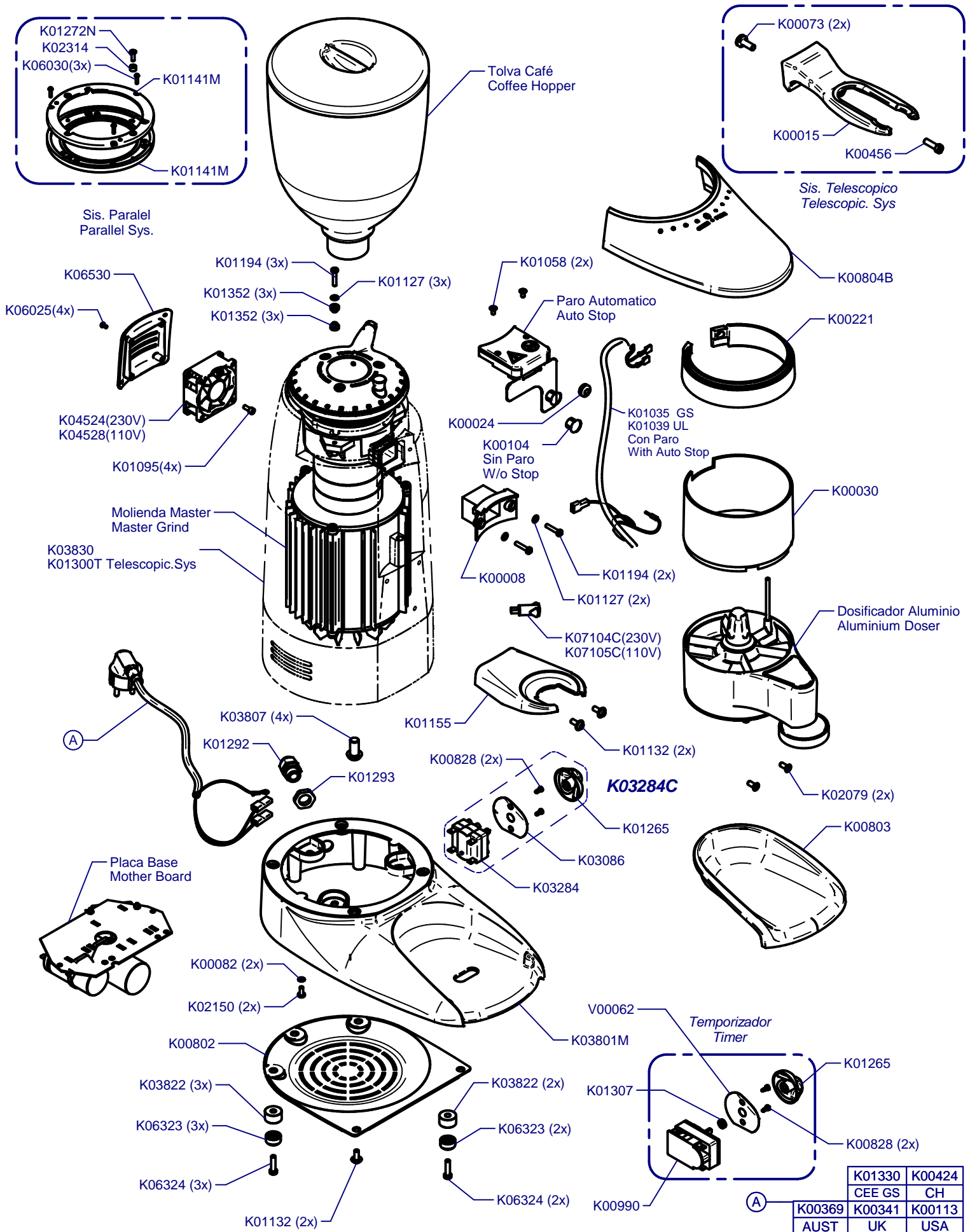


K10 Master Conic Traditional

Updated 29/09/2015

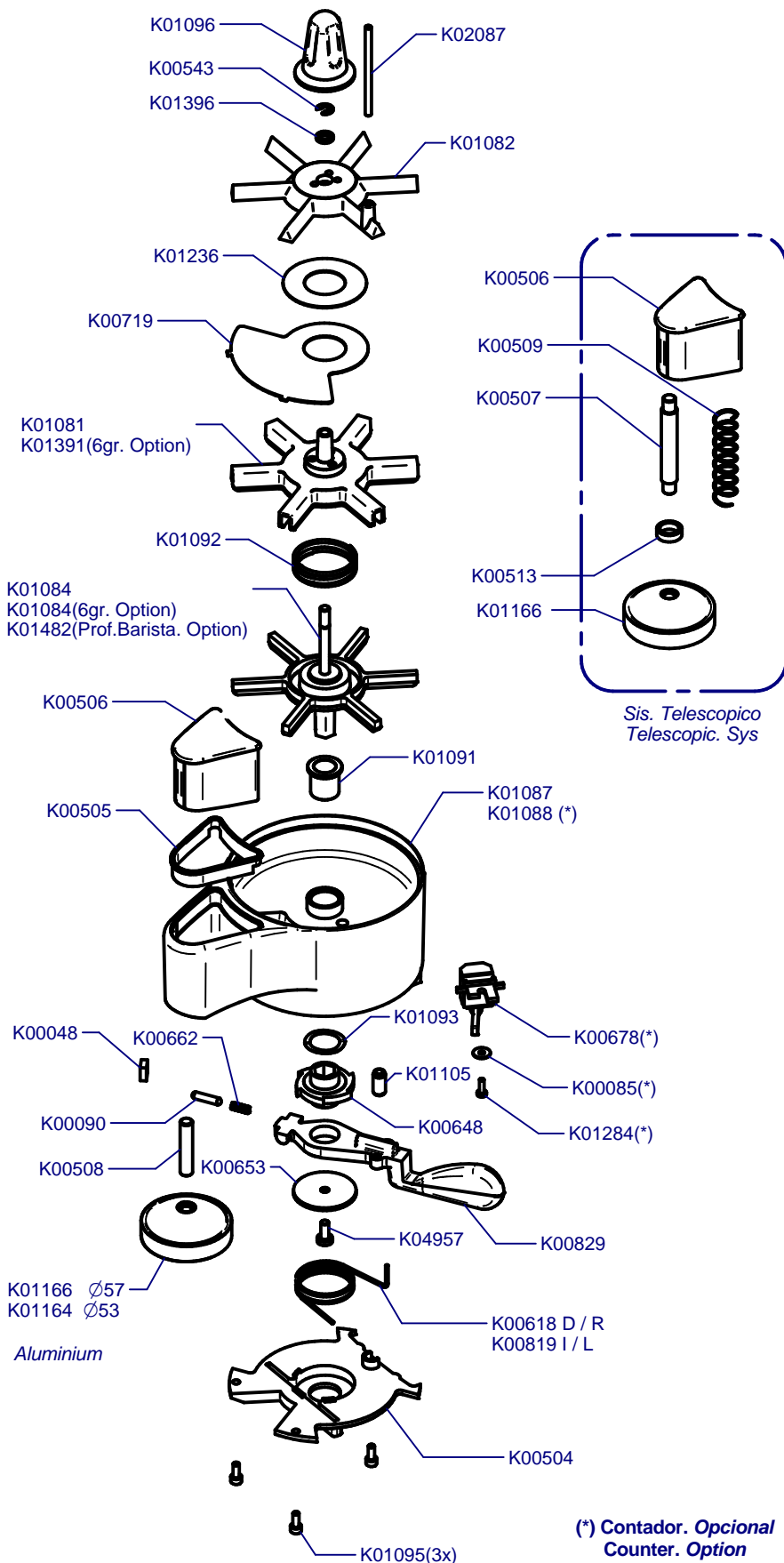


	K01330	K00424
	CEE GS	CH
K00369	K00341	K00113
AUST	UK	USA

K10 Master Conic Traditional

Updated 29/09/2015

Dosificador Aluminio/ Aluminium Doser

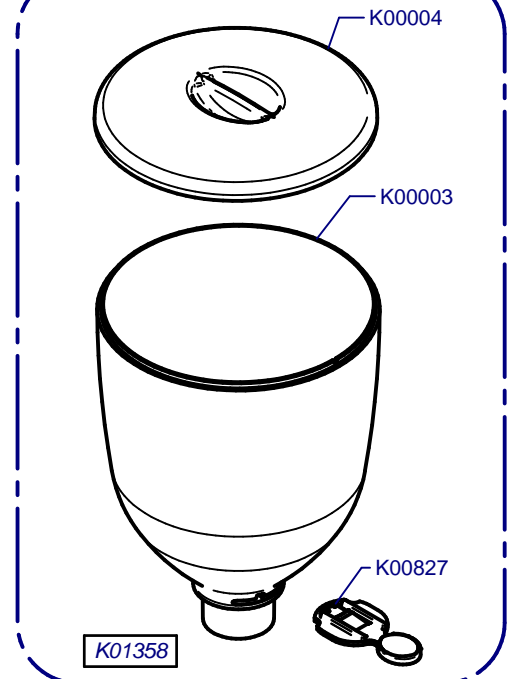


Sis. Telescopico
Telescopic. Sys

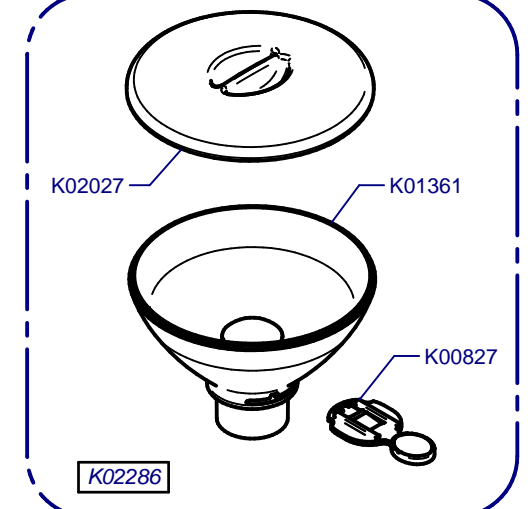
(*) Contador. Opcional
Counter. Option

K01226

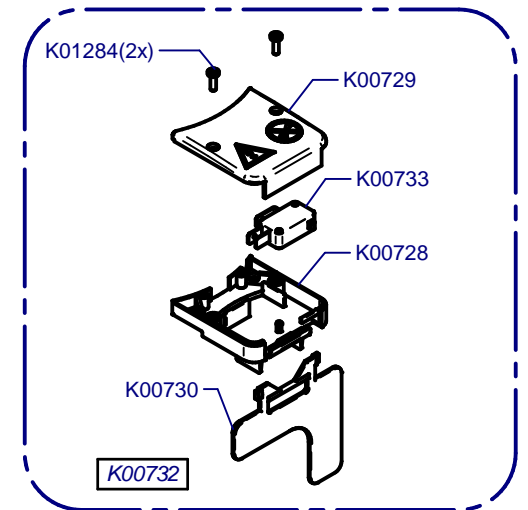
Tolva Café / Coffee Hopper



Tolva Café 275gr / Coffee Hopper 275gr

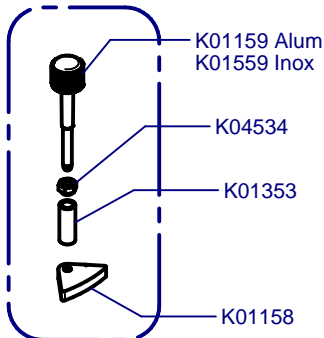


Paro Automático / Auto Stop

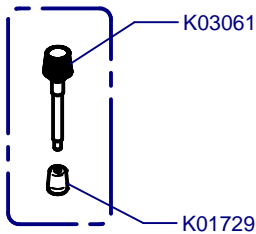


K10 Master Conic Traditional

Updated 29/09/2015



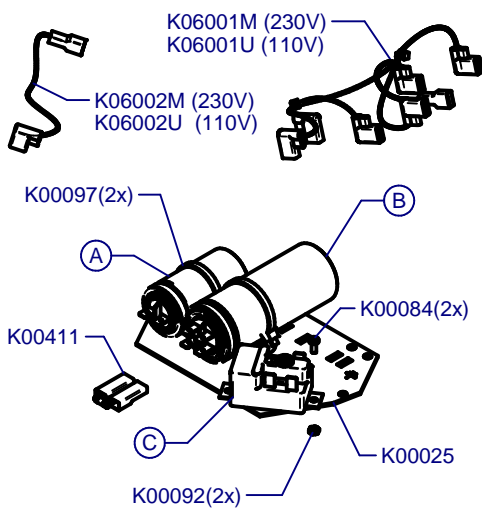
Sis. Paralel
Parallel Sys.



Sis. Micrometrico
Micrometric Sys.

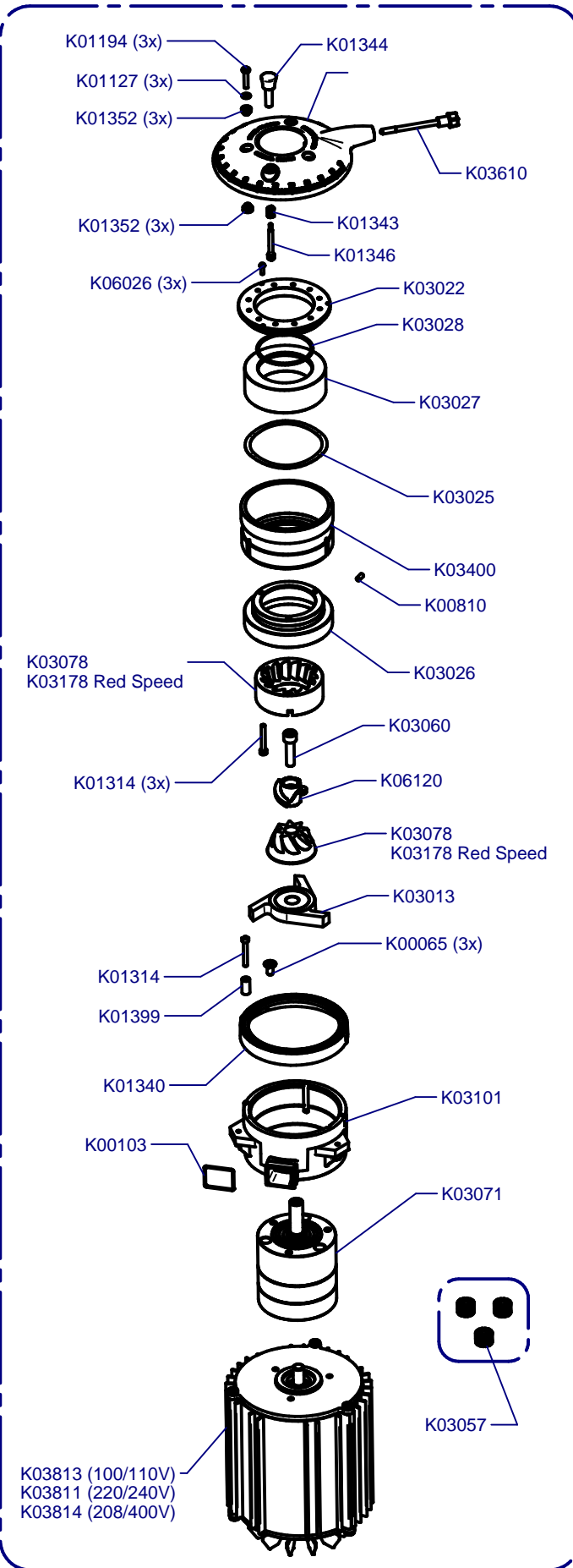
(*) **Sis. Punto a Punto**
Stepped Sys.

Placa Base / Mother Board



(C)	K03670	220-240V	(A)	K04592	K04574	220-240V
	K03823	100-110V		K03825	K03877	100-110V

Molienda / Grind



K03813	(100/110V)
K03811	(220/240V)
K03814	(208/400V)