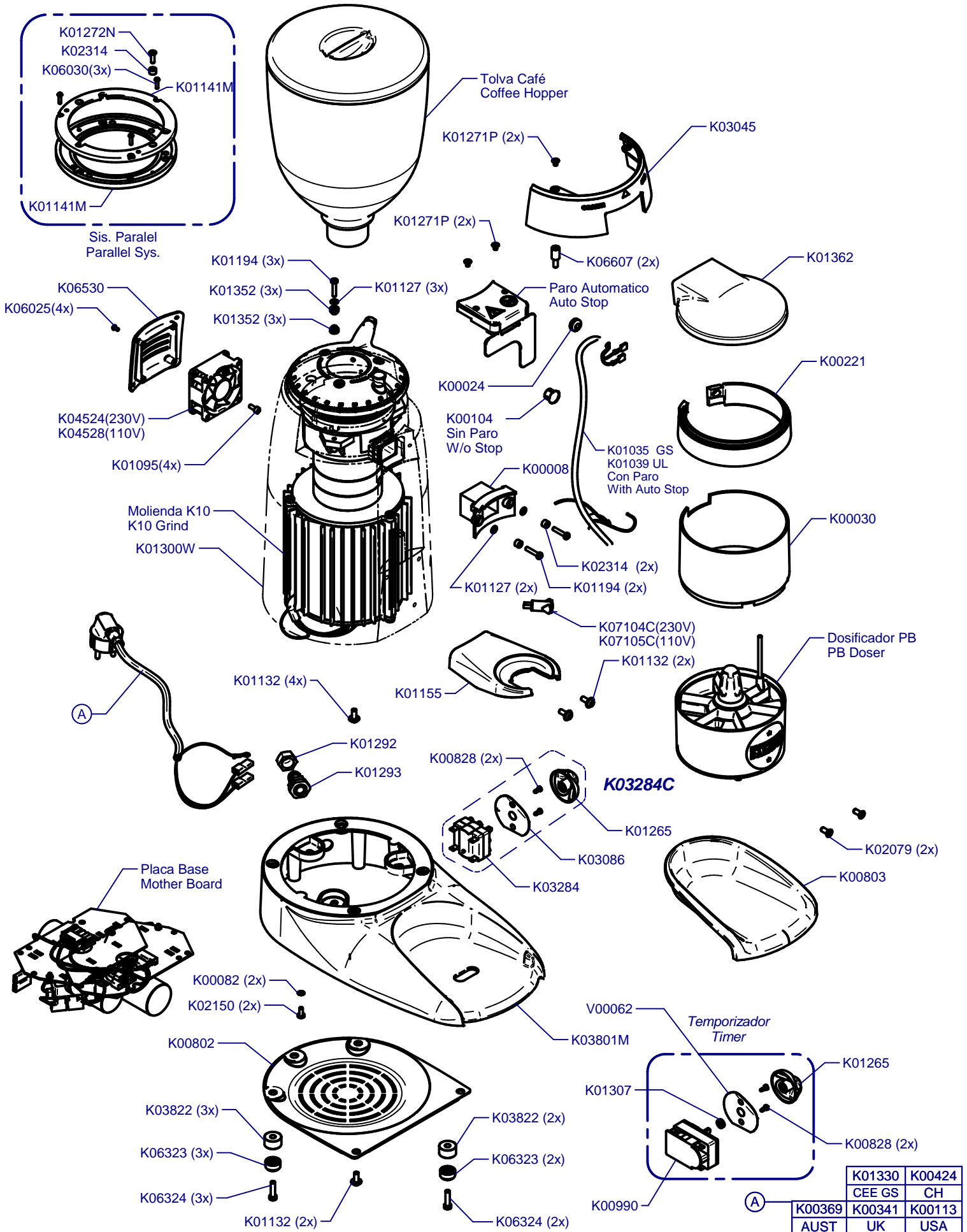


K10 Conic Professional Barista

Updated 29/09/2015

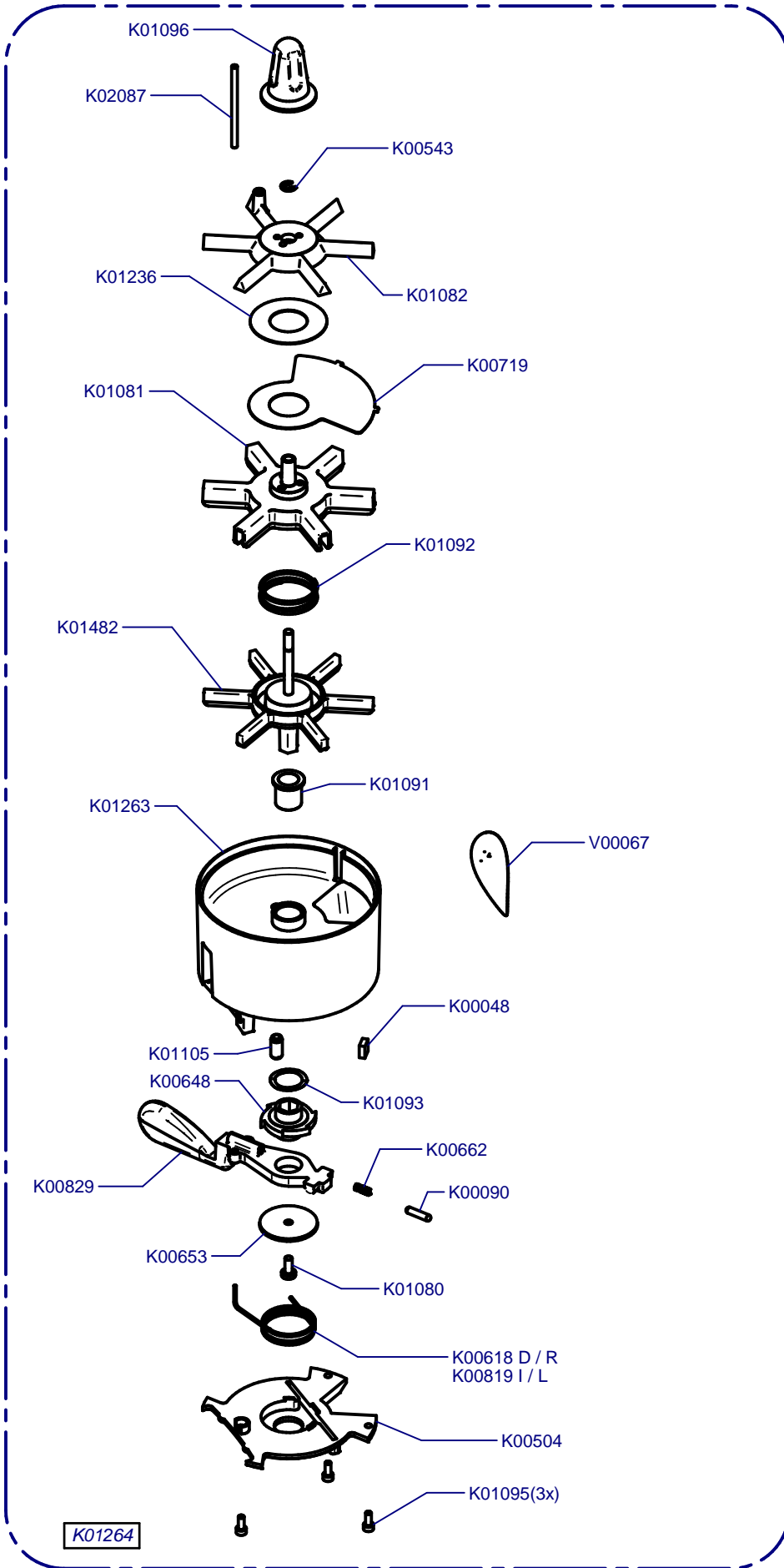


K01330	K00424
CEE GS	CH
K00369	K00341
AUST	UK
	K00113
	USA

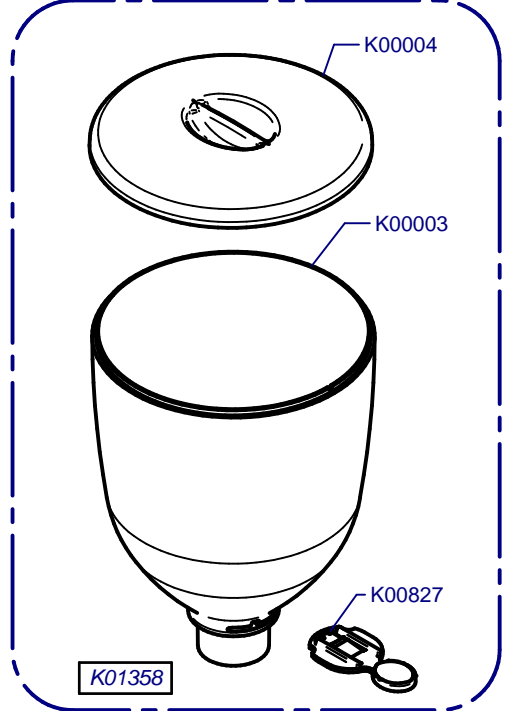
K10 Conic Professional Barista

Updated 29/09/2015

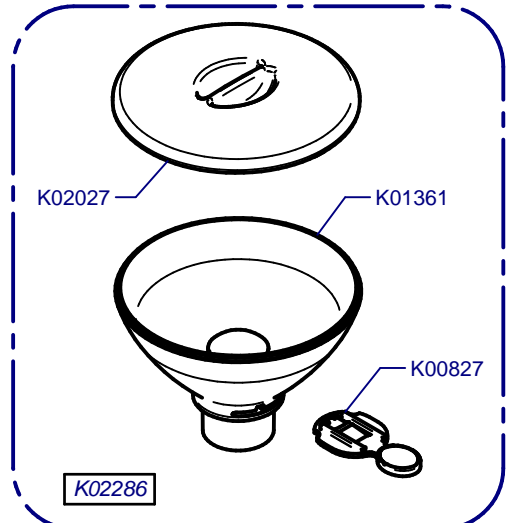
Dosificador Aluminio/ Aluminium Doser



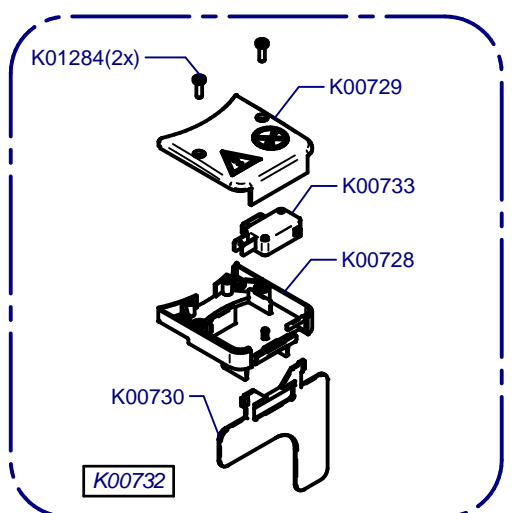
Tolva Café / Coffee Hopper



Tolva Café 275gr / Coffee Hopper 275gr

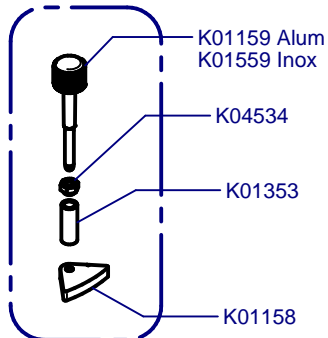


Paro Automático / Auto Stop

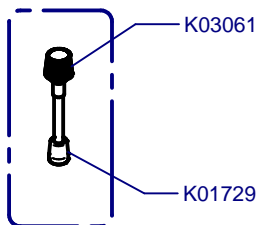


K10 Conic Professional Barista

Updated 29/09/2015



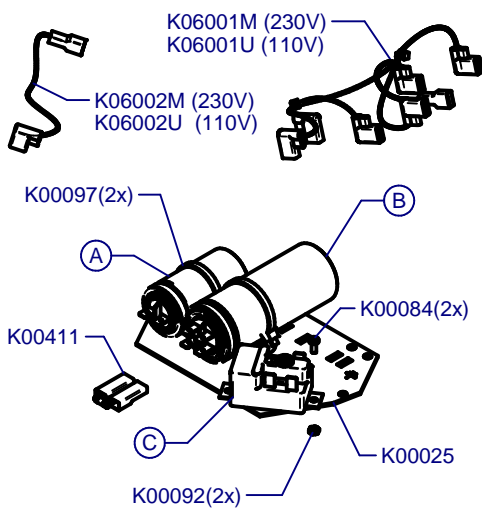
Sis. Paralel
Parallel Sys.



Sis. Micrometrico
Micrometric Sys.

(*) Sis. Punto a Punto
Stepped Sys.

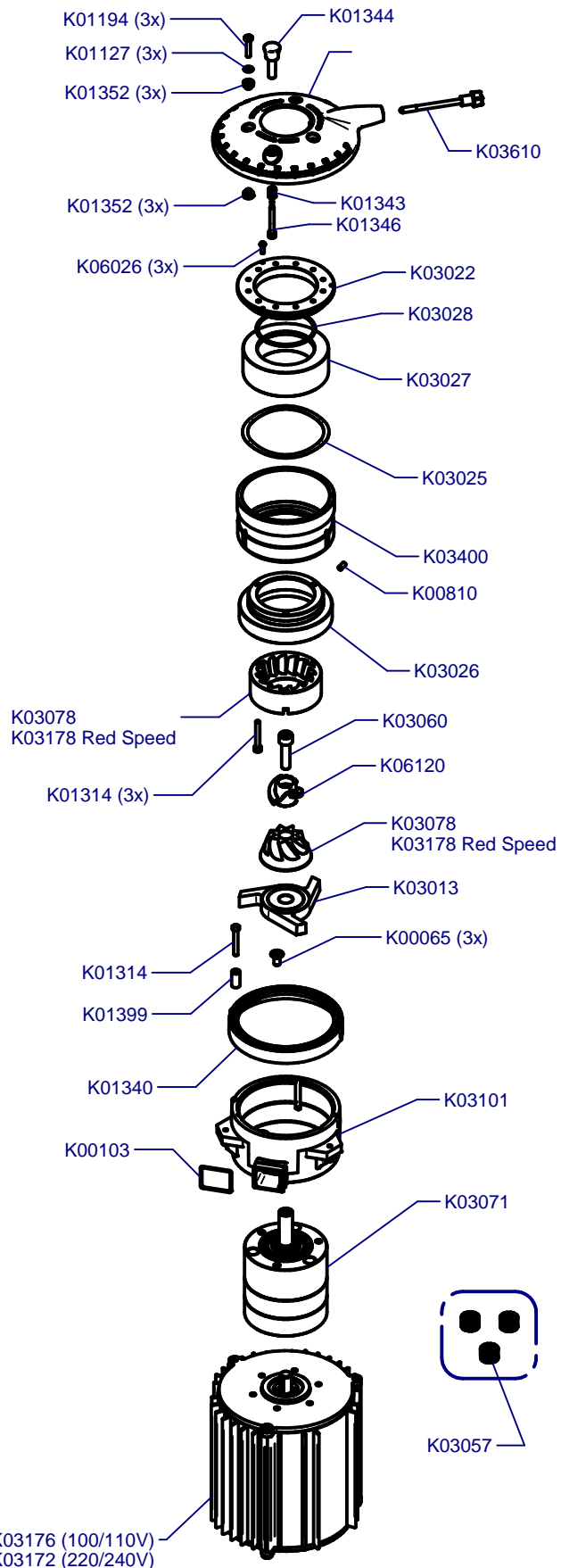
Placa Base / Mother Board



C	
K00496	230-240V
K00488	220V
K03175	110V
K03824	100V

A		B	
K05108	K04574	230-240V	
K05108	K04574	220V	
K03174	K03878	110V	
K03825	K03877	100V	

Molienda / Grind



K03057

K03176 (100/110V)
K03172 (220/240V)