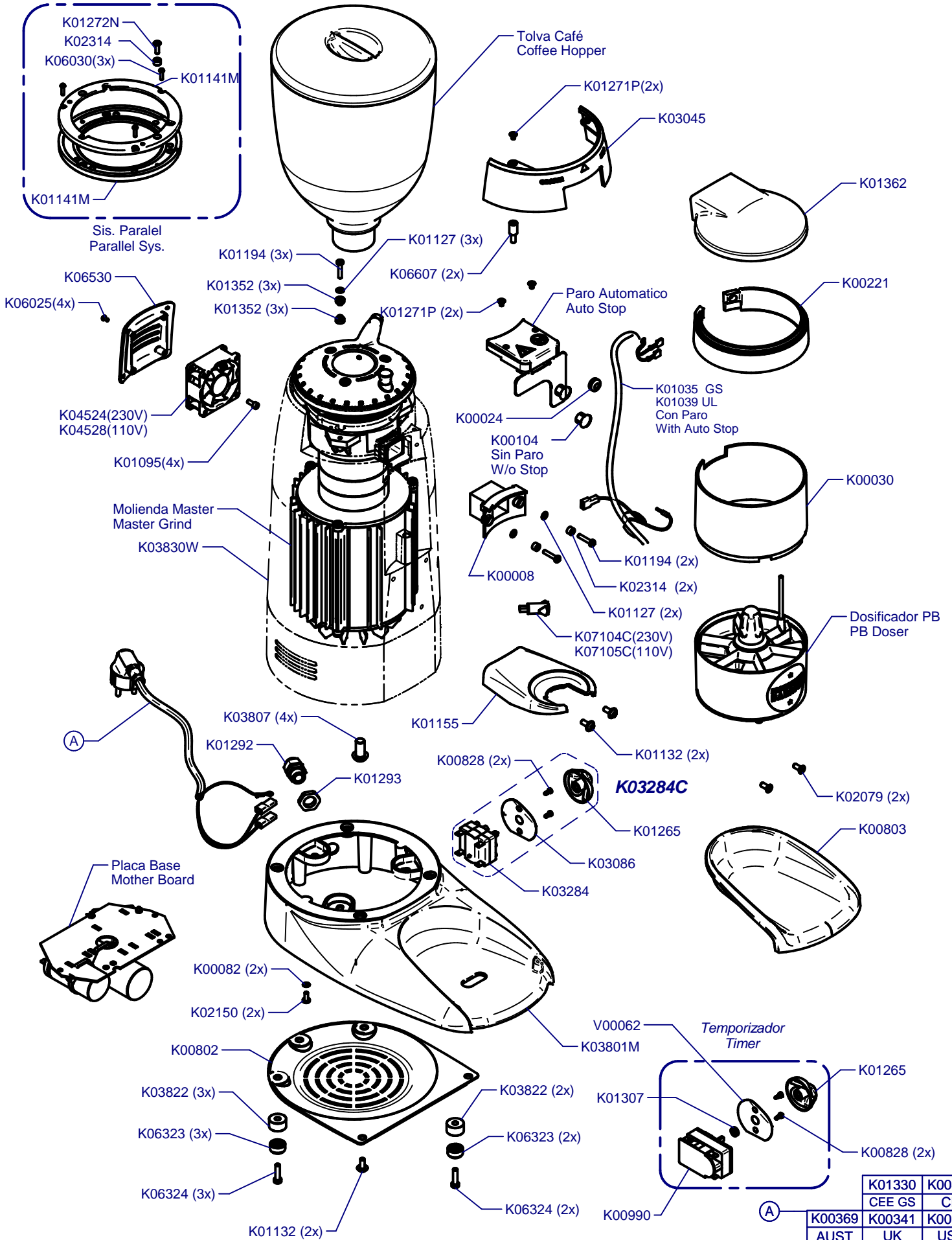
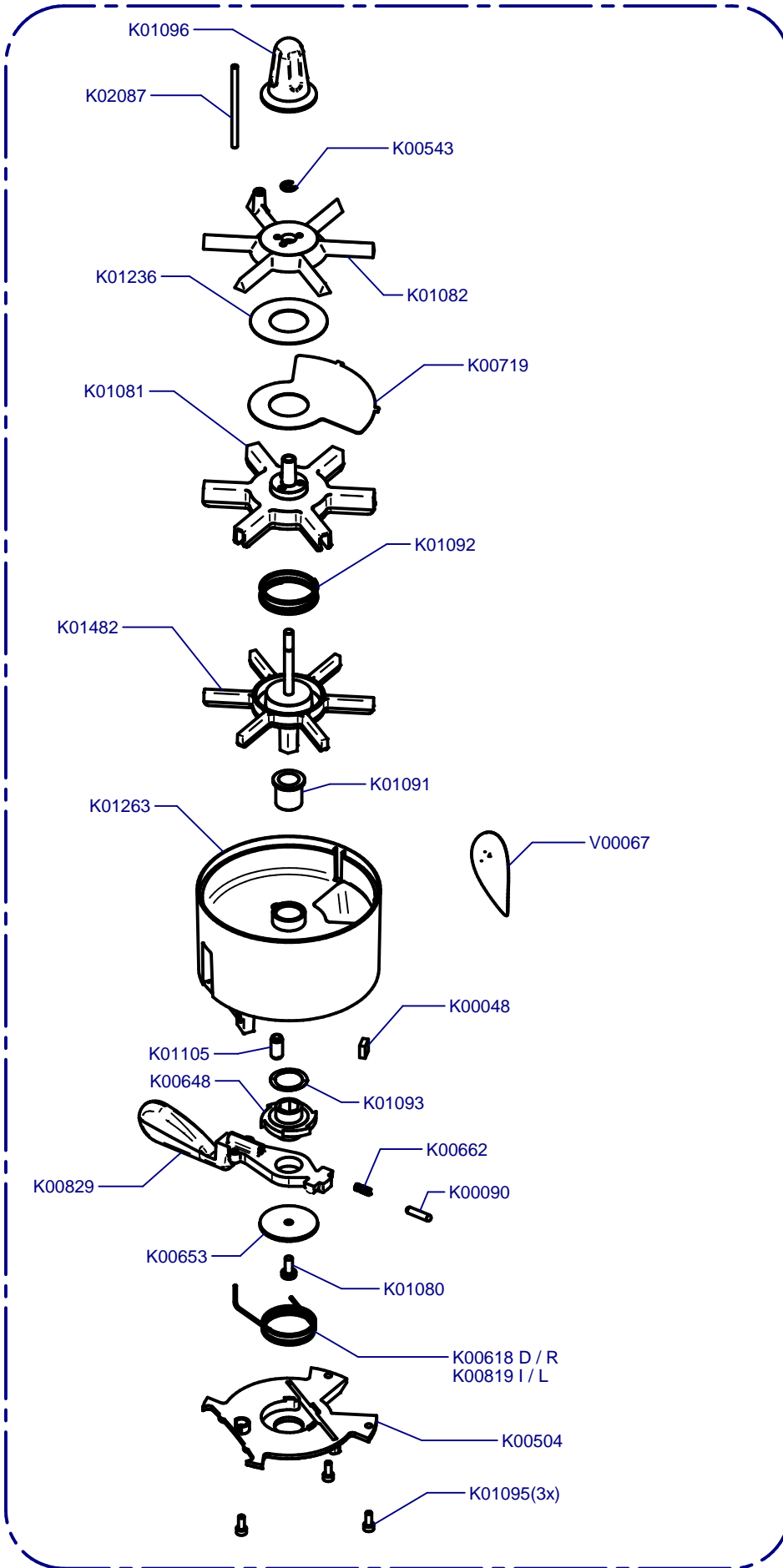


K10 Master Conic Professional Barista Updated 29/09/2015

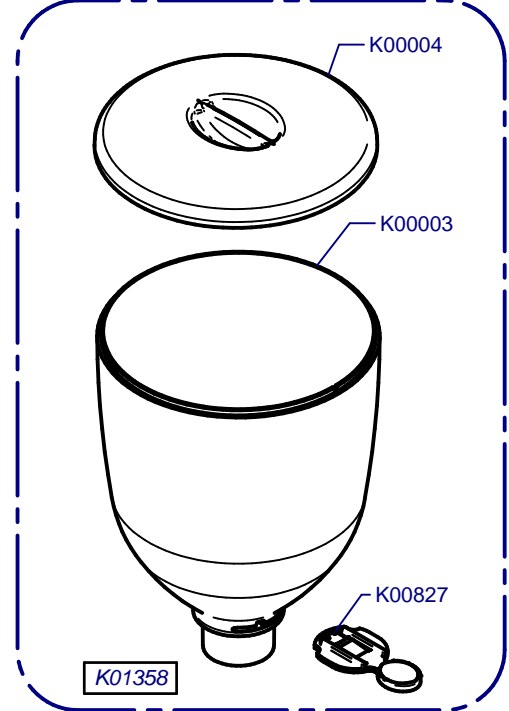


K01330	K00424
CEE GS	CH
K00369	K00341
AUST	UK
	K00113
	USA

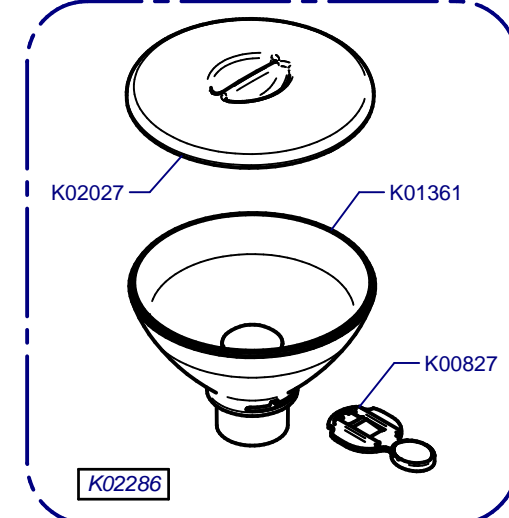
Dosificador Aluminio/ Aluminium Doser



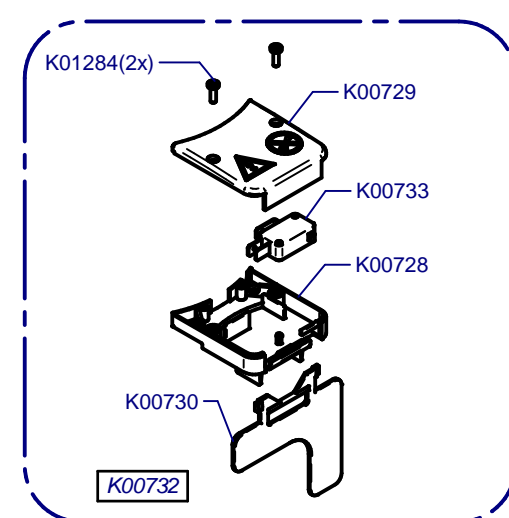
Tolva Café / Coffee Hopper

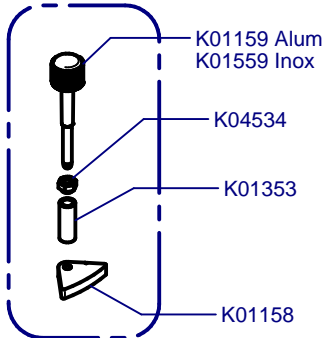


Tolva Café 275gr / Coffee Hopper 275gr

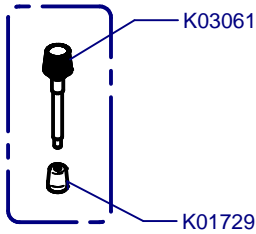


Paro Automático / Auto Stop





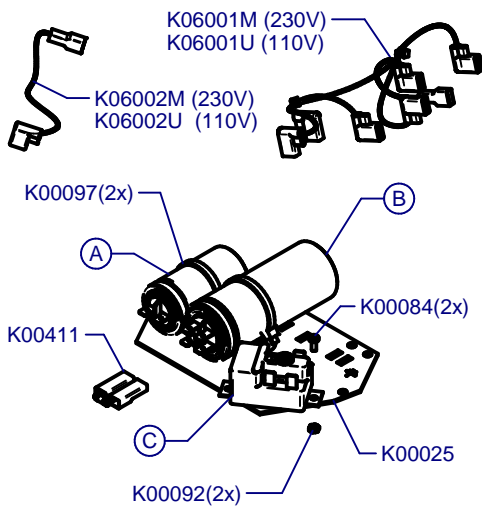
Sis. Paralel
Parallel Sys.



Sis. Micrometrico
Micrometric Sys.

(*) **Sis. Punto a Punto**
Stepped Sys.

Placa Base / Mother Board



(C)	K03670	220-240V	(A)	K04592	220-240V
	K03823	100-110V	(B)	K04574	220-240V
				K03825	100-110V
				K03877	100-110V

Molienda / Grind

